

ONYX NOVA 90 3/4 LITE

Enhance the aesthetics and natural lighting of your home with our Nova series, featuring direct glazed glass that creates a seamless and elegant design. Take a step further with our durable onyx pigmented fiberglass skin that gives you the contemporary look of a black door, but eliminates the need for frequent maintenance or painting.

DRS1E

DRS1E80

SLS1E

SLS1E80

DIRECT GLAZED

6'8" or 8'0" 3/4 LITE DOOR

AVAILABLE WIDTHS

2'6" • 2'8" • 2'10" • 3'0"

FEATURES & BENEFITS

- 1 **COMPOSITE STILE CAP**
- 2 **FULL LENGTH LVL**
(Hinge & Strike side, for extra rigidity)
- 3 **WOOD BLOCKING**
(For structural support in HVHZ Impact models)
- 4 **STEEL BEAM**
(Hinge & Strike side, for extra rigidity in all 8'0" and HVHZ Impact models)
- 5 **INSULATED 1" GLASS**
- 6 **ONYX COMPRESSION MOLDED FIBERGLASS SKIN**
- 7 **BRUSH FINISHED TEXTURE**
- 8 **INTEGRALLY MOLDED GLASS STOP**
- 9 **HIGH DENSITY POLYURETHANE FOAM**
- 10 **ADA COMPLIANT BOTTOM RAIL**
- 11 **COMPOSITE BOTTOM RAIL**



GLASS OPTIONS*

Also available in HVHZ Impact Glass



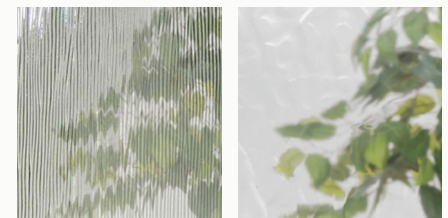
LoWE 272 *(Impact LowE 366)*

MINI BLIND



TRANSLUCENT

RAIN



CHORD

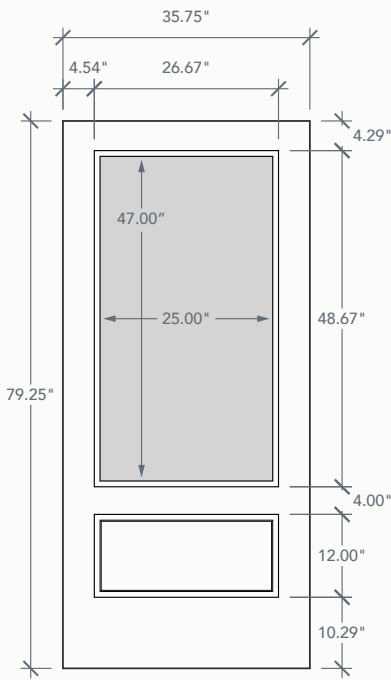
FLEMISH

**Approximate representations, actual product may vary.*

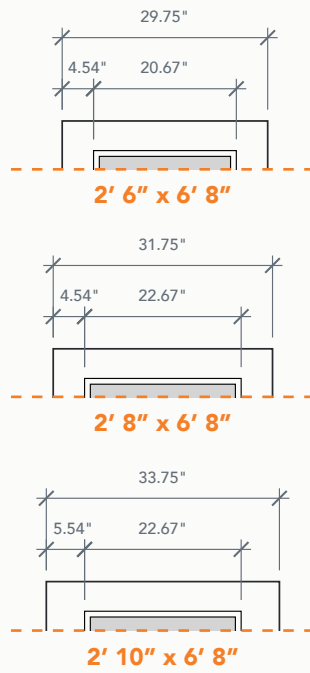
TO SEE THE FULL FLORIDA BUILDING CODE APPROVAL DOCUMENT, VISIT WWW.FLORIDABUILDING.ORG. THE NOVA 90 FL# IS 28093, 28095 & 29714.



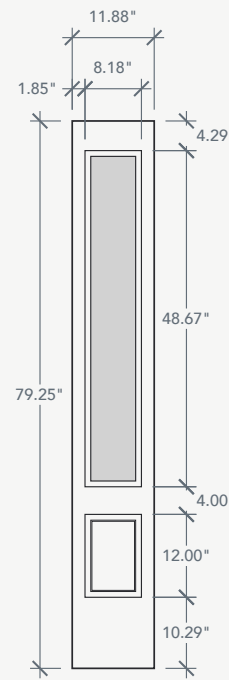
6'8" NOVA SERIES - DRS1E



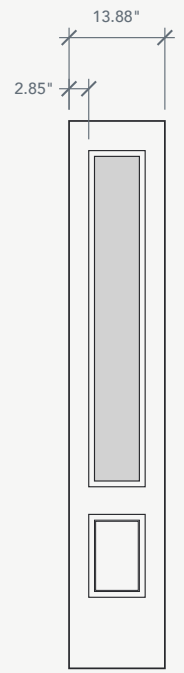
3' 0" x 6' 8"



6'8" NOVA SERIES - SLS1E

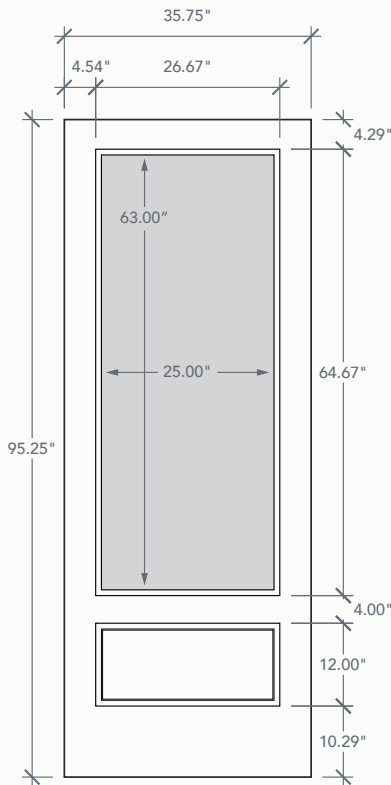


1' 0" x 6' 8"

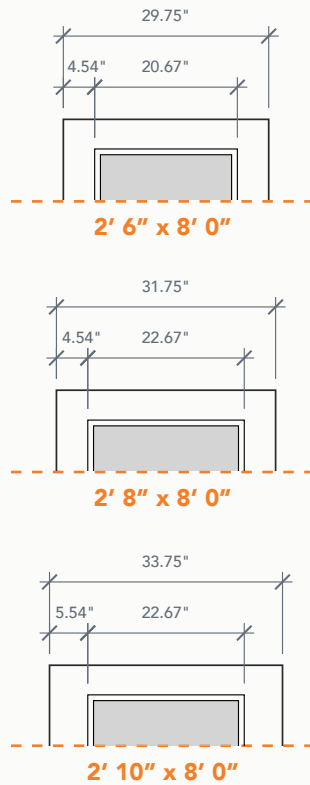


1' 2" x 6' 8"

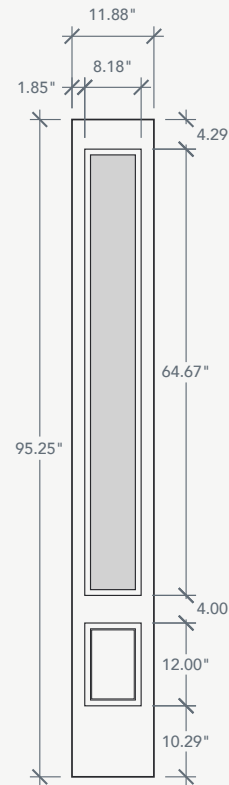
8'0" NOVA SERIES - DRS1E80



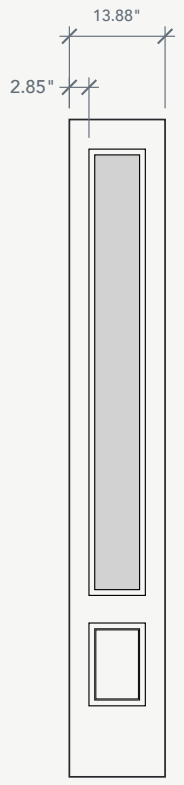
3' 0" x 8' 0"



8'0" NOVA SERIES - SLS1E80



1' 0" x 8' 0"



1' 2" x 8' 0"

ONYX NOVA 90 3/4 LITE

DIRECT GLAZED
6'8" or 8'0" 3/4 LITE DOOR

AVAILABLE WIDTHS
2'6" • 2'8" • 2'10" • 3'0"